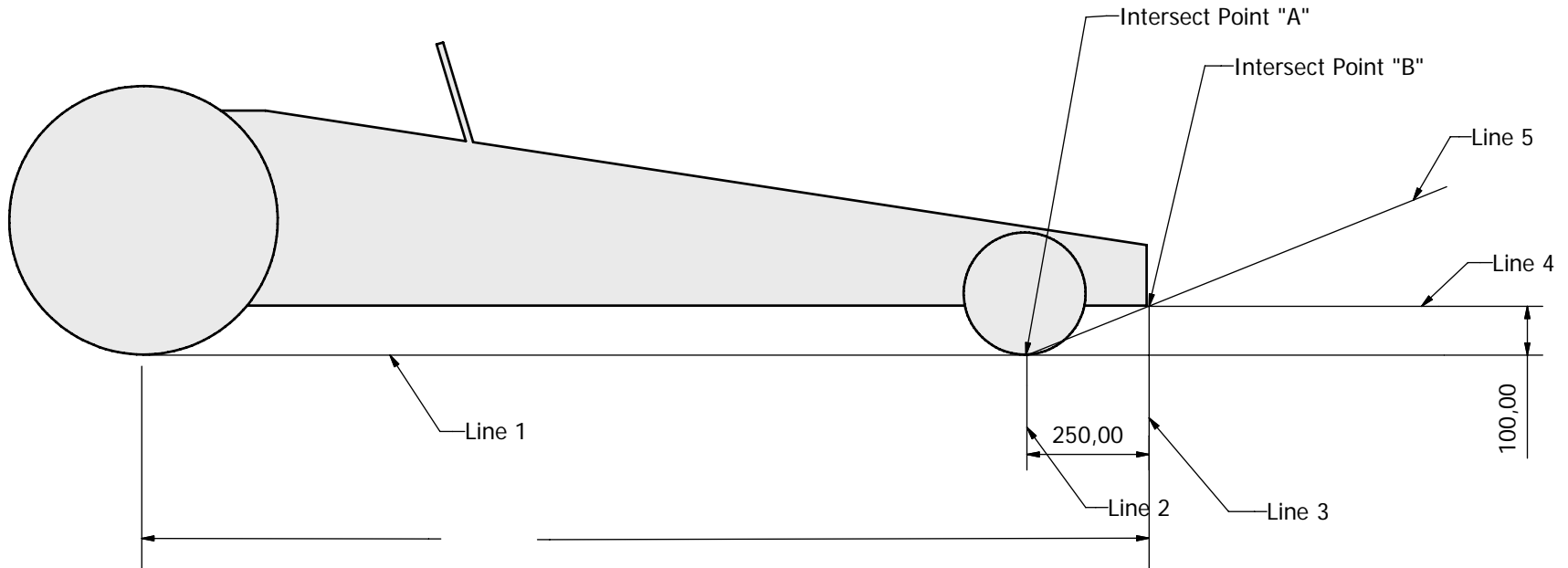


YOUR BILLY CART AND OUR RAMPS

To ensure your billy cart will come off the ramps without dragging the front on the ground please make the following checks

1. Make a side view layout of your billy cart on the ground 1 : 1 Scale
2. Draw a horizontal line representing ground level across the bottom of the front and rear wheels (Line 1)
3. Draw 2 Vertical lines, 1 throught the centre of the wheel to just below the bottom of the wheel (Line 2) and 1 parralell to line 2 250mm towards the front of the billy cart (Line3)
4. Draw another horizontal line parralell to line 1 100mm above it, (Line 4) This line needs to be from the centre of the front wheel to just past the nose of the billy cart.
5. Now draw a line from Intersect point "A" to Intersect point "B" start at "A" and let the line go past "B" by 200 or 300 mm (Line 5)
6. Ok now you have finished with the lines you must have no bodywork below line 5, if you don't your billycart is fine and will run off our ramps perfectly. If you do you will need to modify (if checking an existing cart) or change your design to suit these requirements if you are building new.
7. **The width of your bilycart cannot exceed 1000mm from outside the wheels.**
8. **Your Billycart must not exceed 2000mm from the absolute front of the cart to the centre of the rear axle.**



PLEASE NOTE

This diagram is for the purpose of ensuring your billy cart will run off automated ramps, the dimentional requirements shown apply to the rear of the billy cart as well so please check your cart carefully.

Designed by David	Checked by	Approved by	Date	Date 14/09/2007
		Billy		
			Edition	Sheet 1 / 1